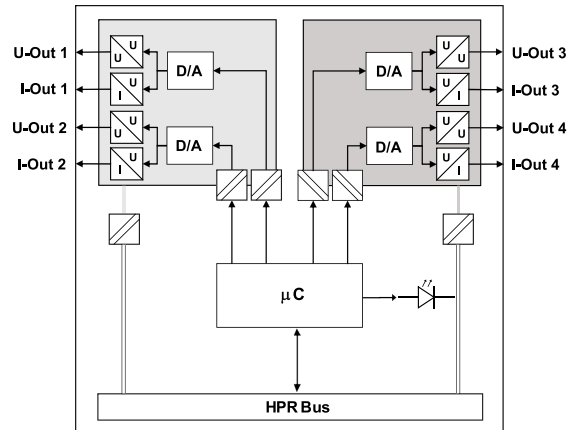


HE 5835

HIMOD analogue output module 4 x AO
4 x A-OUT standard signal (U/I)



The analogue output module HE 5835 controls up to four standard signals (current or voltage) from the higher-level bus system and forwards these to connected systems or installations. The communication with the bus coupler takes place over an asynchronous serial RS-485 connection. In the event of service, the module can be exchanged quickly and without complications in running operation (Hot Swap). The signal status of the outputs is indicated via status-LEDs. The areas of power supply voltage, field bus,

logics and outputs are isolated galvanically from each other. In the event of error the modules operate with previously predefined error values, in order to ensure safe process control (Fail Safe).

Current versions of the associated software SmartControl as well as other information can be found at www.hesch.de

TECHNICAL DATA	
Power supply	Over internal T-bus: 24 V DC / 7.5 V DC
Current consumption	Max. 320 mA at 24 V / max. 55 mA at 7.5 V
Electrical isolation	2300 V _{eff} [(supply, logics) / per 2 channels]
Voltage input:	
Value range	-10...+10 V
Output impedance	R ≥ 1 kΩ
Current input:	
Value range	-20...+20 mA
Output impedance	Load < 50 Ω
Converter resolution / conversion time	12 bit / 160 ms
Characteristic deviation	≤ 0.1 %
Temperature influence	≤ 0.1 %
Power supply for sensors	10 mA at 10 V or 25 mA at 24 V, short-circuit-proof
Diagnostic display:	
8 x yellow LEDs	Output mode (current / voltage output)
1 x 2-colour LED	Module status
Wiring technique	Screw / plug terminals, conductor cross-section 0.2...2.5 mm ² Spring clamp / plug terminals, conductor cross-section 0.2...2.5 mm ²
Weight	150 g

ORDERING DATA	ORDER NUMBER	PU
HE 5835, CE, screw terminal	58350000	1
HE 5835, CE, spring clamp terminal	58353000	1

ACCESSORIES	ORDER NUMBER	PU
Screw plug terminal	133332	10
Spring clamp terminal	133331	10
T-bus connector	38100150	10

APPROVAL	
Conformity marking	CE

Technical alterations reserved