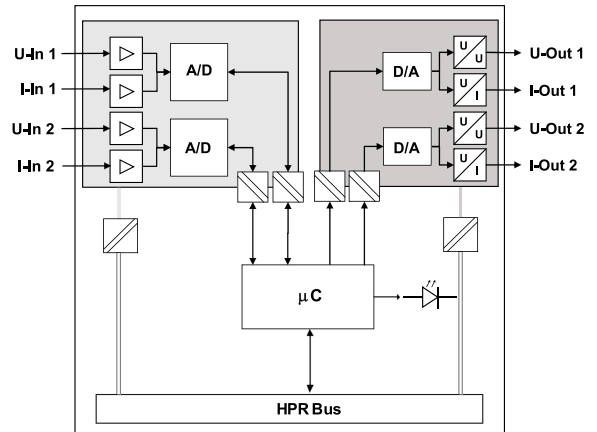


HE 5836

HIMOD analogue combi module 2 x AI, 2 x AO

2 x A-IN standard signal U/I / 2 x A-OUT standard signal U/I



The analogue input/output module HE 5836 acquires both two standard analogue signals (current or voltage) from the higher-level bus system and transmits these to the process level as well as two standard analogue signals from the process level, which are transmitted to the higher-level bus system. The communication with the bus coupler takes place over an asynchronous serial RS-485 connection. In the event of service, the module can be exchanged quickly and without complications in running

operation (Hot Swap). The signal status of the inputs and outputs is indicated via status-LEDs. The areas of power supply voltage, field bus, logics, inputs and outputs are isolated galvanically from each other. In the event of error the modules operate with previously predefined error values, in order to ensure safe process control (Fail Safe).

Current versions of the associated software SmartControl as well as other information can be found at www.hesch.de

TECHNICAL DATA	
Power supply	Over internal T-bus: 24 V DC / 7.5 V DC
Current consumption	Max. 200 mA at 24 V / max. 55 mA at 7.5 V
Electrical isolation	2300 V _{eff} [(supply, logics) / channel 1, 2 / channel 3, 4]
Voltage / Current input:	
Value range	-10...+10 V, -5...+5 V, -1...+1 V / -20...+20 mA
Input impedance	Voltage input: R > 1 MΩ / current input: Load < 50 Ω
Converter resolution / conversion time	16 bit / 160 ms
Characteristic deviation	≤ 0.1 %
Temperature influence	≤ 0.1 %
Diagnostic display:	
8 x yellow LEDs	Status of the inputs
1 x 2-colour LED	Module status
Wiring technique	Screw / plug terminals, conductor cross-section 0.2...2.5 mm ² Spring clamp / plug terminals, conductor cross-section 0.2...2.5 mm ²
Weight	150 g

Technical alterations reserved

ORDERING DATA	ORDER NUMBER	PU
HE 5836, CE, screw terminal	58360000	1
HE 5836, CE, spring clamp terminal	58363000	1

ACCESSORIES	ORDER NUMBER	PU
Screw plug terminal	133332	10
Spring clamp terminal	133331	10
T-bus connector	38100150	10

APPROVAL	
Conformity marking	CE