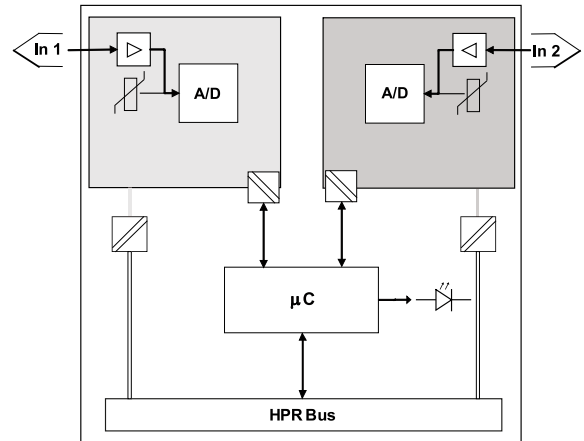


HE 5841

HIMOD TC input module 2 x TC
2 x thermocouple



The TC-input module HE 5841 acquires up to two analogue measured values from thermocouples and transmits these to the higher-level bus system. The communication with the bus coupler takes place over an asynchronous serial RS-485 connection. In the event of service, the module can be exchanged quickly and without complications in running operation (Hot Swap). In addition a cold junction compensation with a constant value or with measured cold junction can be connected. The signal status of

the inputs is indicated via status-LEDs. The areas of power supply voltage, field bus, logics and both channels are isolated galvanically from each other. In the event of error the modules operate with previously predefined error values, in order to ensure safe process control (Fail Safe).

Current versions of the associated software SmartControl as well as other information can be found at www.hesch.de

TECHNICAL DATA	
Power supply	Over internal T-bus: 24 V DC / 7.5 V DC
Current consumption	Max. 65 mA at 24 V / max. 60 mA at 7.5 V
Electrical isolation	2300 V _{off} [(supply, logics) / channels]
Thermocouple:	
Sensor type	Type L, J, K, N, S, R, T, E, B, W, 80 mV
Temperature range	In each case in the defined range of the sensor
Resolution	< 0.1 K / 80 mV-type: < 3 µV
Accuracy	≤ 2 K / 80 mV-type: ≤ 0.1 %
Temperature drift	≤ 0.08 % / 10 K
Converter resolution / conversion time	16 bit / 160 ms
Error detection	Sensor breakage short-circuit detection
Cold junction compensation	Can be connected as constant value or measured value
Diagnostic display:	
2 x yellow LEDs	Status of the inputs
2 x red LEDs	Sensor fault
1 x 2-colour LED	Module status
Wiring technique:	Screw / plug terminals, conductor cross-section 0.2...2.5 mm ² Spring clamp / plug terminals, conductor cross-section 0.2...2.5 mm ²
Weight	150 g

Technical alterations reserved

ORDERING DATA	ORDER NUMBER	PU
HE 5841, CE, screw terminal	58410000	1
HE 5841, CE, spring clamp terminal	58413000	1

ACCESSORIES	ORDER NUMBER	PU
Screw plug terminal	133332	10
Spring clamp terminal	133331	10
T-bus connector	38100150	10

APPROVAL	
Conformity marking	CE