

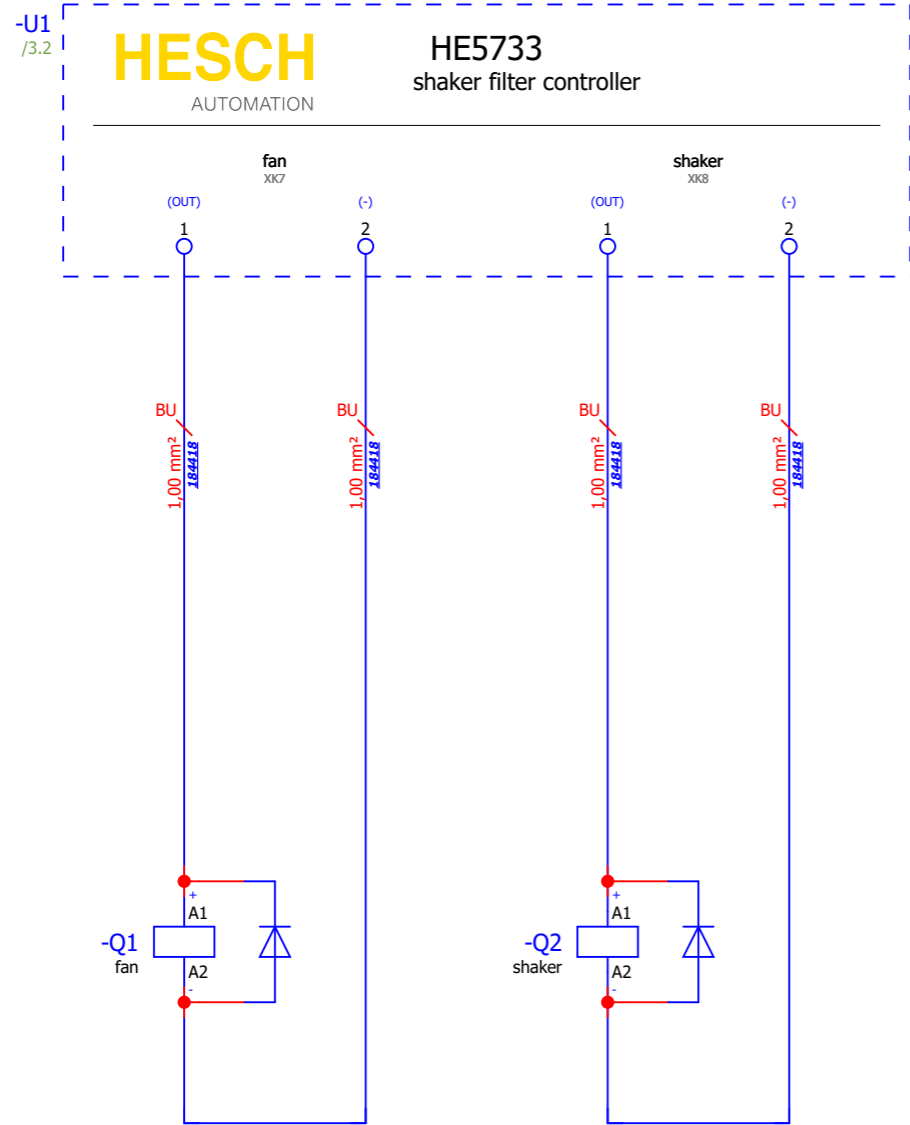
2.a

Date	03.11.2023				
Ed.	JHK				
Appr.					
Modification	Date	Name	Original	Replacement of	Replaced by
				shaker filter controller	



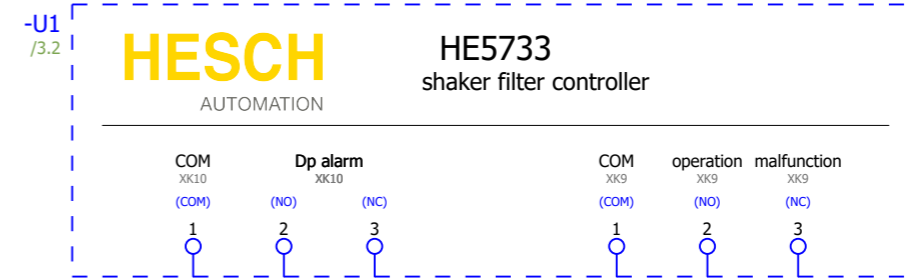
feeding-in / supply,
connection motors

---	= HES733
---	+ HES733
---	Page 3
---	Page 12

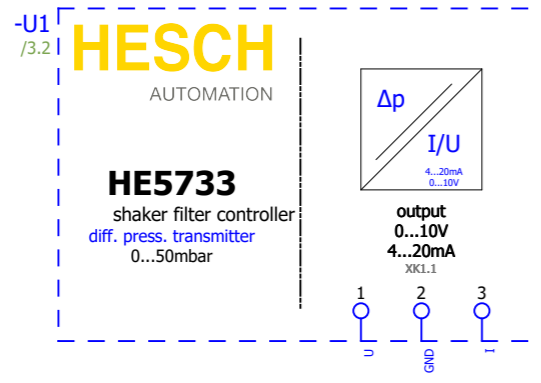


1 2 /3.5
3 4 /3.5
5 6 /3.5
13 14 /4.6

1 2 /3.7
3 4 /3.7
5 6 /3.7
13 14 /4.7



Date	03.11.2023	---	shaker filter controller	HESCH AUTOMATION	digital outputs, relay outputs	---	---	= HE5733 + HE5733	Page	5
Ed.	JHK								Page	12
Appr										
Modification	Date	Name	Original	Replacement of	Replaced by					



			Date	03.11.2023	---		analog output for diff. pressure	---	= HES733			Page	6	
			Ed.	JHK	shaker filter controller				+ HES733				Page	12
Modification	Date	Name	Original		Replacement of			Replaced by						